

1064 nm laser diode

9 W- 105 µm core fiber – 0.22 NA

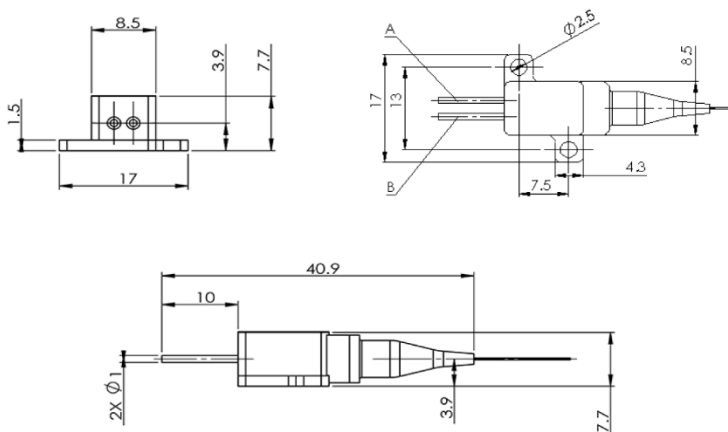
Reference: 1064LD-4-0-0

Technology : Single emitter Multimode

SPECIFICATIONS	Unit	Min	Typ	Maximum
Output Power	W	9		
Center Wavelength	nm	1059		1069
Spectral Width (FWHM)	nm		3.5	7
Threshold Current	A		0.5	0.9
Operating Current	A		11.7	12.0
Operation Voltage	V		1.75	2.2
Wavelength shift w Temperature	nm/°C		0.3	
Wavelength shift w current	nm/A		1.0	
Slope Efficiency	W/A		0.85	
Fiber Buffer/tube Diameter	µm		900/250	
Fiber Clad Diameter	µm		125	
Fiber Core Diameter	µm		105	
Numerical Aperture	NA		0.22	
Storage case temperature	°C	-30		70
Operating case temperature	°C	15		55
Soldering Temperature	°C			260
Soldering time	s			10
Fiber connector	Yes (SMA905)			
Fiber bend radius	mm	37.5		

Please solder the pins when the level of current is over 6A

Form factor:



PIN OUT:
PIN **Description**
 A LD+

