

## 808 nm laser diode

10 W / 105 μm fiber

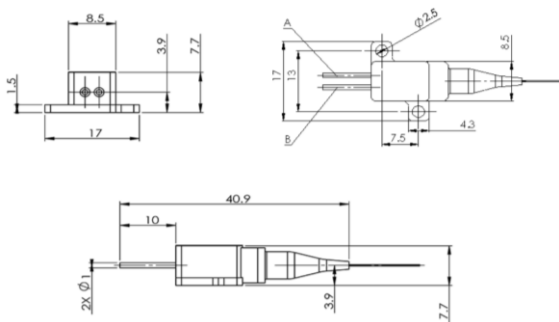
Reference: 808LD-2-0-0

Technology : Single-element multimode

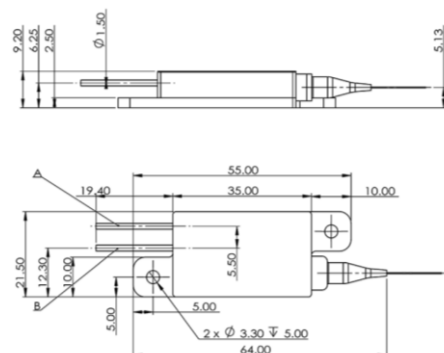
SPECIFICATIONS	Unit	Min	Typ	Maximum
Optical parameters				
Output Power	W	10		
Center Wavelength	nm	805	808	811
Spectral Width (FWHM)	nm		3.5	
Threshold Current	A		0.2	0.5
Operating Current	A		3.5	4.0
Operation Voltage	V		5.5	
Conversion Efficiency	%		45	
95% power with NA	NA		0.17	
Wavelength shift w Temperature	nm/°C		0.3	
Wavelength shift with current	nm/A		0.6	
Slope Efficiency	W/A		2.7	
Storage Temperature	°C	-30		70
Case Operating Temperature	°C	15	25	55
Minimum Fiber Bend Radius	mm		37.5	
Fiber Buffer/tube Diameter	μm		250	
Fiber Clad Diameter	μm		125	
Fiber Core Diameter	μm		105	
Numerical Aperture	NA		0.22	
Soldering Temperature	°C			260
Soldering time	s			10
Fiber connector	Yes (SMA)			
ROHS Compliant	Yes			

Please solder the pins when the level of current is over 6A

### Form factor:



Small form factor coupled in a 200 μm fiber  
(specifications may vary for this model)



Large form factor coupled in a 105 μm fiber