

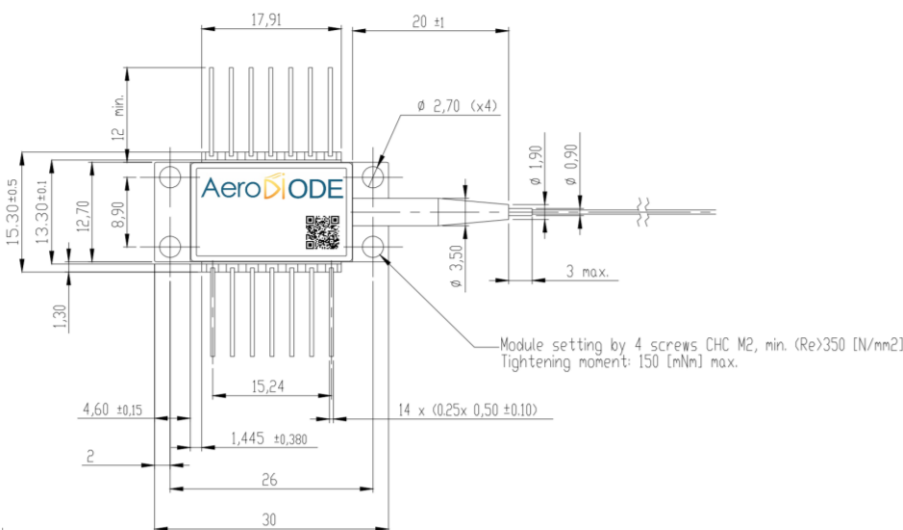
## 808 nm laser diode

250 mW / singlemode fiber / Butterfly package

Reference: 808LD-1-0-0

SPECIFICATIONS	Unit	Min	Typ	Maximum
<b>Optical parameters</b>				
Output Power	mW		250	
Center Wavelength (optional "FBG" version)	nm	803 (807)	808 (808)	813 (809)
Spectral Width (FWHM) / (optional "FBG" version)	nm		3.5 (0.1)	
Threshold Current	mA		90	120
Operating Current	mA		390	450
Operating Voltage	V		2.0	2.3
Wavelength shift w Temperature (Optional "FBG" version)	nm/°C		0.25 (5 10 <sup>-3</sup> )	
Wavelength shift w Current (Optional "FBG" version)	nm/A		5 (~0)	
Side mode suppression ratio (Optional FBG version)	dB		(20)	
Internal photodiode responsivity	mA/W	1	5	20
Internal photodiode dark current	nA		5	40
TEC current (25°/case@70°)	A		1.1	
TEC voltage (25°/case@70°)	V		1.9	
Internal thermistor (25°)	kOhm	9.5	10	10.5
Fiber type	Hi780			
Fiber bend radius	mm	25		
Storage temperature	°C	-40		85
Operating case temperature	°C	-20		70
Operating chip temperature	°C	20		40
Laser diode reverse voltage	V			2

Form factor:



Laser diode pinning:

