

1310 nm SLED

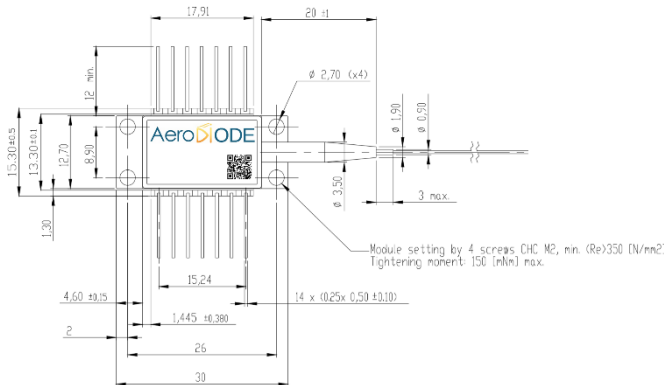
1 mW / singlemode fiber / Butterfly package



Reference: SLED-I1310-1

| SPECIFICATIONS | Unit | Min | Typ | Maximum |
|-----------------------------|----------------------------|-----|------|---------|
| Output Power | mW | 1 | | |
| Center Wavelength | nm | | 1310 | |
| Spectral Width (FWHM) | nm | 40 | | |
| Spectral Ripple | dB | | | 0.2 |
| Operating Current | mA | | 75 | 120 |
| Operating Voltage | V | | 1.5 | |
| TEC current (25°/case@65°) | A | | | 1.0 |
| TEC voltage (25°/case@65°) | V | | | 2.0 |
| Internal thermistor (25°) | kOhm | 9.5 | 10.0 | 10.5 |
| Fiber type | SMF28 (eq) or PM1550 (eq.) | | | |
| Fiber bend radius | kgf | | | 1 |
| Storage temperature | °C | -40 | | +85 |
| Operating case temperature | °C | -20 | | +70 |
| Operating chip temperature | °C | +15 | | +45 |
| Laser diode reverse voltage | V | | | 2 |
| Soldering temperature/time | °C/S | | | 260/10 |

Form factor:



SLED pinning:

