

## 1450 nm laser diode

Model 3 : >400 mW / singlemode fiber / 14 pin Butterfly package

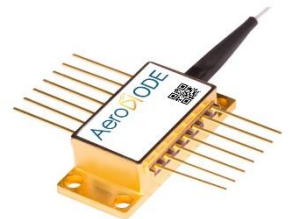
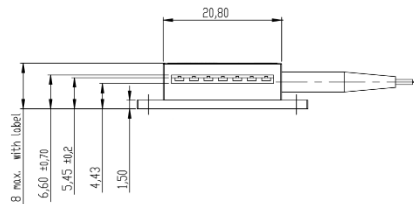
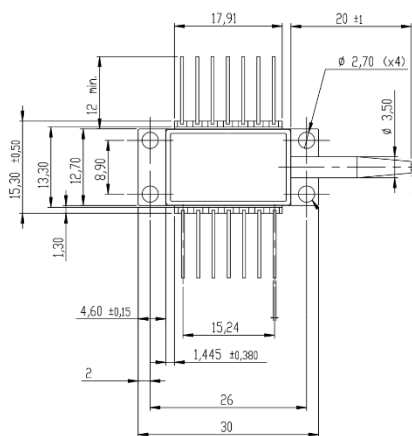
Reference: 1450LD-3-0-0-2 (PM only)

Technology : Fabry-Perrot with Bragg\*

SPECIFICATIONS	Unit	Min	Typ	Maximum
Output Power (CW mode – kink free)	mW	400		
Output Power (Pulse mode)	mW		>600	
Center Wavelength (CW)	nm	1454	1455	1457
Spectral Width (FWHM)	nm		1	2
Threshold Current	mA		70	120
Operating Current	mA		1300	
Operation Voltage	V		1.6	2.0
Wavelength shift w Temperature	nm/°C			0.015
Side mode suppression ratio	dB	35	50	
Internal Photodiode Responsivity	mA/W	0.2		10
Internal Photodiode Dark Current	nA		100	
TEC current (-5/60°C)	A		1	
TEC Voltage (-5/60°C)	V		2.2	
Internal thermistor (25°C)	kOhm	9.5	10	10.5
Fiber type (PM only)		PM1550 or equivalent		
Coating diameter	µm		250	
Fiber bend radius	mm	16		
Storage case temperature	°C	-40		85
Case operating temperature	°C	-5		70
Lead soldering temperature	°C		260	300
Laser diode reverse voltage	V			2
Pigtail termination		Ferrule only or FC/APC		
Polarization state (PM only)		Aligned to the slow axis		

\*: See our tutorial : [fiber coupled laser diode](#)

Form factor & Laser diode pinning (standard 14-pin Butterfly Type-1) :



PIN	FUNCTION	PIN	FUNCTION
1	TEC (+)	8	NC
2	Thermistor	9	NC
3	Monitor PD Anode	10	Laser Anode (+)
4	Monitor PD Cathode	11	Laser Cathode (-)
5	Thermistor	12	NC
6	NC	13	Ground
7	NC	14	TEC (-)