

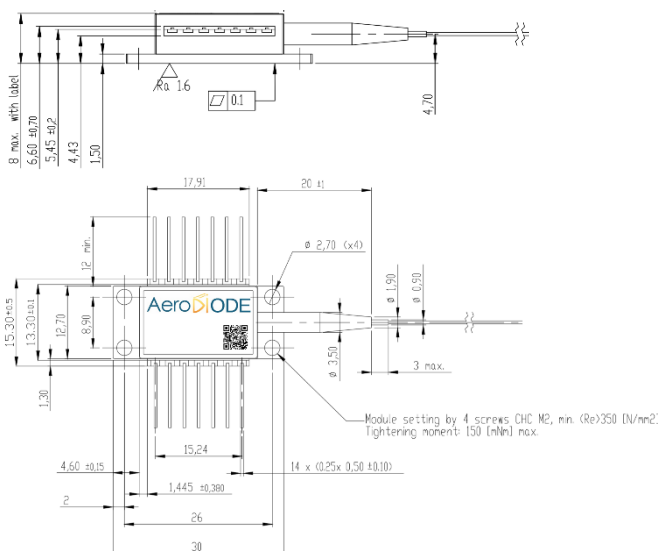
## 785 nm laser diode

180 mW / singlemode fiber / butterfly package

Reference: 785LD-1-0-0-()/(PM)/(FBG)

SPECIFICATIONS	Unit	Min	Typ	Maximum
Output Power	mW	150	180	
Center Wavelength (OPTION 2: FBG version)	nm	780 (784)	785 (785)	790 (786)
Spectral Width (FWHM) / (OPTION 2: FBG version)	nm		1 (0.2)	
Threshold Current	mA		60	100
Operating Current	mA		315	450
Operating Voltage	V		1.8	2.0
Wavelength shift w Temperature (OPTION 2: FBG version)	nm/°C		0.25 (5 10 <sup>-3</sup> )	
Wavelength shift w Current (OPTION 2: FBG version)	nm/A		3 (~0)	
Side mode suppression ratio (with OPTION 2: FBG version)	dB		(30)	
Internal photodiode responsivity	mA/W	0.04	3	10
Internal photodiode dark current	nA		5	40
TEC current (25°/case@70°)	A		1.1	
TEC voltage (25°/case@70°)	V		1.9	
Internal thermistor (25°)	kOhm	9.5	10	10.5
Fiber type (OPTION 1 : PM fiber)	Hi780 or equivalent (PM780 or equivalent)			
Fiber bend radius	mm	25		
Fiber connector	Yes (FC/APC)			
Storage temperature	°C	-40		85
Operating case temperature	°C	-20		70
Operating chip temperature	°C	20		40
Laser diode reverse voltage (absolute maximum rating)	V			2

### Form factor:



### Laser diode pinning:

