

1040 nm laser diode

120 mW (CW) / singlemode fiber / Butterfly package

Reference: 1040LD-1-0-0-2-(FBG)

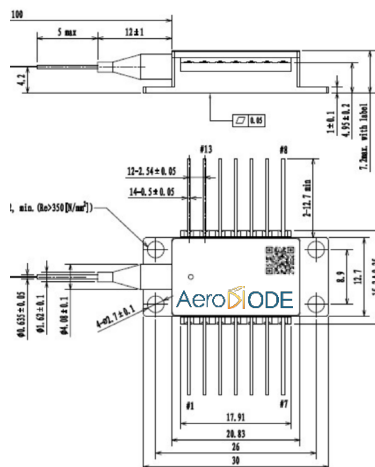
Technology : Single mode Fabry Péro^t*

SPECIFICATIONS	Unit	Min	Typ	Maximum
Output Power (CW)	mW	120		
Output Power (Pulse)**	mW	500	800	
Center Wavelength (With FBG OPTION)	nm	1028 (1039.5)	1040 (1040)	1042 (1040.5)
Spectral Width (With FBG option)	nm FWHM		0.2-1.0 (0.1)	
Threshold Current	mA		60	80
Operating Current (CW)	mA		230	350
Operating Current (Pulse)	mA		700	1500
Operation Voltage	V		1.5	1.8
Wavelength shift w Temperature (FBG OPTION)	nm/°C		0.35 (5 10 ⁻³)	
Wavelength shift w current (FBG OPTION)	nm/A		3 (~0)	
Polarization Extinction Ratio	dB	13	18	
Internal Photodiode Responsivity	mA/W	0.5		10
Internal Photodiode Dark Current	nA			100
TEC current (Case @ 75°C)	A			1.5
TEC Voltage (Case at 75°C)	V			3.3
Internal thermistor (25°C)	kOhm	9.5		10.5
Fiber type	PM fiber : PM980 or equivalent			
Fiber bend radius	mm	16 (abs min)		
Coating diameter	µm		250/900	
Storage case temperature	°C	-40 (abs. min)		85 (abs. max)
Operating case temperature	°C	-5 (abs. min)		75 (abs. max)
Lead soldering temperature	°C			280
Laser diode reverse voltage	V			2.0
Pigtail termination	Ferrule (FC/APC optional)			
Polarization state	Aligned to the slow axis			

*See our tutorial on [fiber coupled laser diode](#)

** With AeroDIODE pulse driver only

Form factor:



Dimensions are in mm

Laser diode pinning:

